

PRODUCT: BEL FSG 60 TC AU Sta
 COLOUR: Sta
 CODE: 444440494
 ISSUE: A
 DATE: 08/02/2010



Key	Product	Product Description	TCO	Replace	Date	Qty
NR	073103213	CHASSIS fs 60 g tc				1
00358	602925404	FRONTFRAME 60 std mot				1
00783	082360801	SLEEVE silicone (black)				1
0314	082233400	FAN cooling DP203A-2123LST-C31				1
0349	081830501	FOOT levelling long				4
0604	503009800	PANEL rear 60 gas				1
0697	562044130	PLINTH 60 blk				1
0728	080180676	SCREW m6x30 pp mc				4
0876	082578200	SWITCH door ROLD				1
0880	081545401	SWITCH thermal2455R/82/713F60				1
NR	073103448	MAIN OVEN fs 60 g light				1
0NR	083001600	ELBOW rear flue				2
0182	082101600	CLIP tubular				4
0280	082543400	ELECTRODE tcouple oven DEL705				1
0328	503009900	TUBE flue				2
0499	080011121	INJECTOR oven 180 amal				1
0507	082049500	BURNER oven 17020				1
0544	926016900	LAMP assy oven				1
0558	080125000	LOCKNUT thermocouple BRAS				1
0589	612818331	CAVITY assy 60main gaso1r pri				1
0728	081367387	SCREW M3X6 TORQ PAN HEAD BZP				2
0734	081797200	SEAL main ov 550HL KB				1.6
0736	081423974	SEAL tap 4mm COPRECI F3862-04				1
0791	082554300	SPACER oven fan				2
0792	081702001	SPACER oven burner 055 KB				2
0907	082821300	THERMOCOUPLE 1500mm				1
0912	082583402	THERMOSTAT MT 22300/285(st.ph)				1
0983	080482801	WIRE ign 890mm 92-4				1
NR	073103626	TOP GRILL fs 60 g				1
0067	082377806	Burner grill(new venturi)32024				1
0182	082101600	CLIP tubular				4
0283	082271500	ELECTRODE AB32302 DEL717				1
0495	081794600	INJECTOR h/p medium 1.15 MED				1
0558	080125000	LOCKNUT thermocouple BRAS				1
0728	081367387	SCREW M3X6 TORQ PAN HEAD BZP				1
0733	081797201	SEAL grill KB				1.3
0736	081423974	SEAL tap 4mm COPRECI F3862-04				1
0891	082548812	TAP grill (short bypass)				1
0908	081528402	THERMOCOUPLE grill				1
NR	073103829	HOB MECH 60g fsd				1
0083	082519304	BURNERBOWL aux (injector 0.82)				1
0084	082519406	BURNERBOWL s/rapid (inj 1.18)				2
0085	082519506	BURNERBOWL rapid (inj 1.42)				1
0102	082957700	BURNERSKIRT aux (serie 3)				1
0103	082957701	BURNERSKIRT semi (serie 3)				2
0104	082957702	BURNERSKIRT rapid (serie 3)				1
0178	082520000	CLIP spring Defendi				4
0281	082532602	ELECTRODE 1300mm DEL703				4
0580	082938800	NUT flanged locking				4
0736	081423974	SEAL tap 4mm COPRECI F3862-04				4
0887	082964606	TAP rapid 0.45 bp rh set 65-70				1
0888	082964506	TAP semi 0.39 bp lh set 52-54A				1
0889	082964604	TAP semi 0.39 bp rh set 52-54A				1

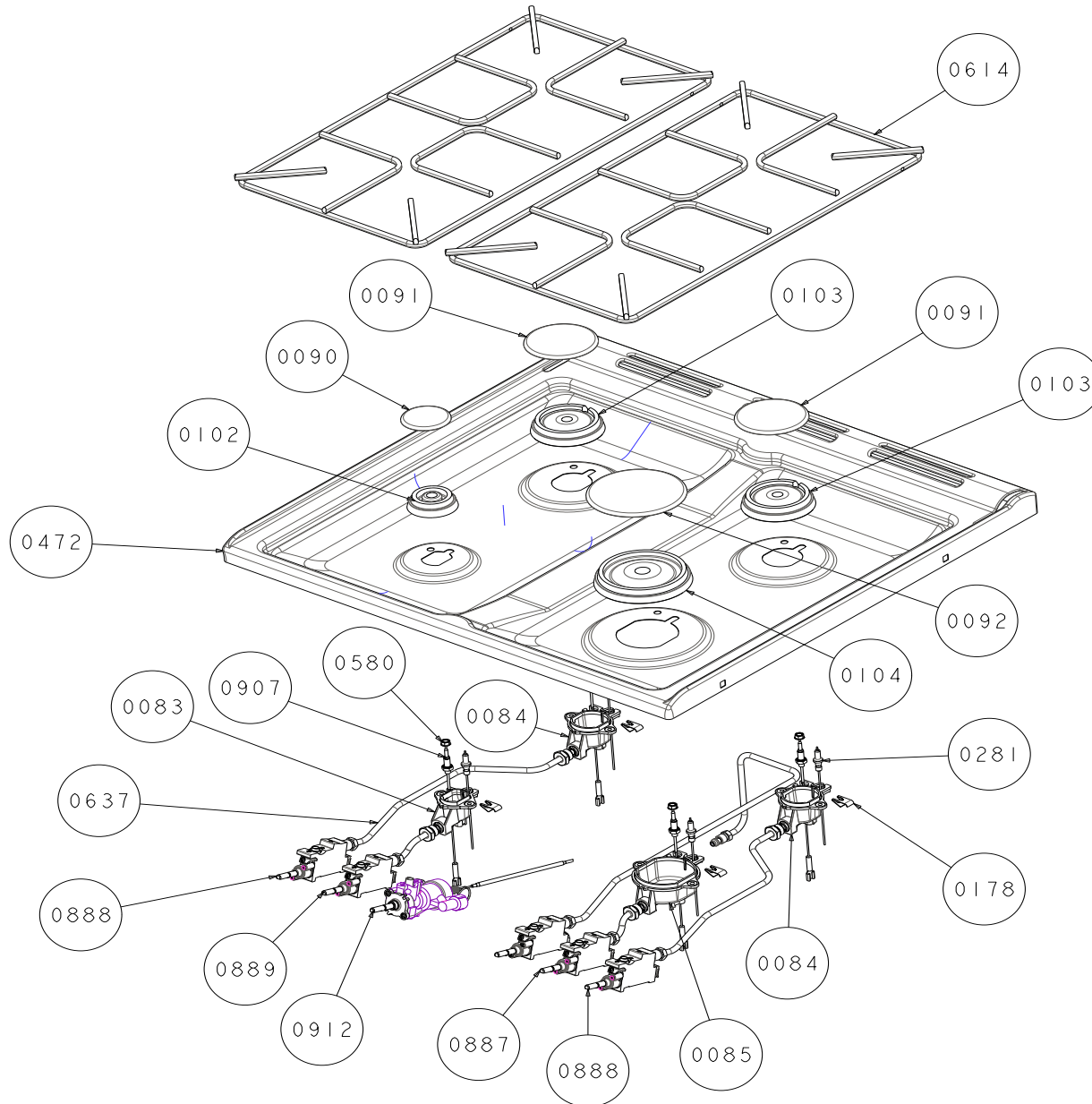
PRODUCT:
COLOUR:
CODE:
ISSUE:
DATE:

BEL FSG 60 TC AU Sta
Sta
444440494
A
08/02/2010

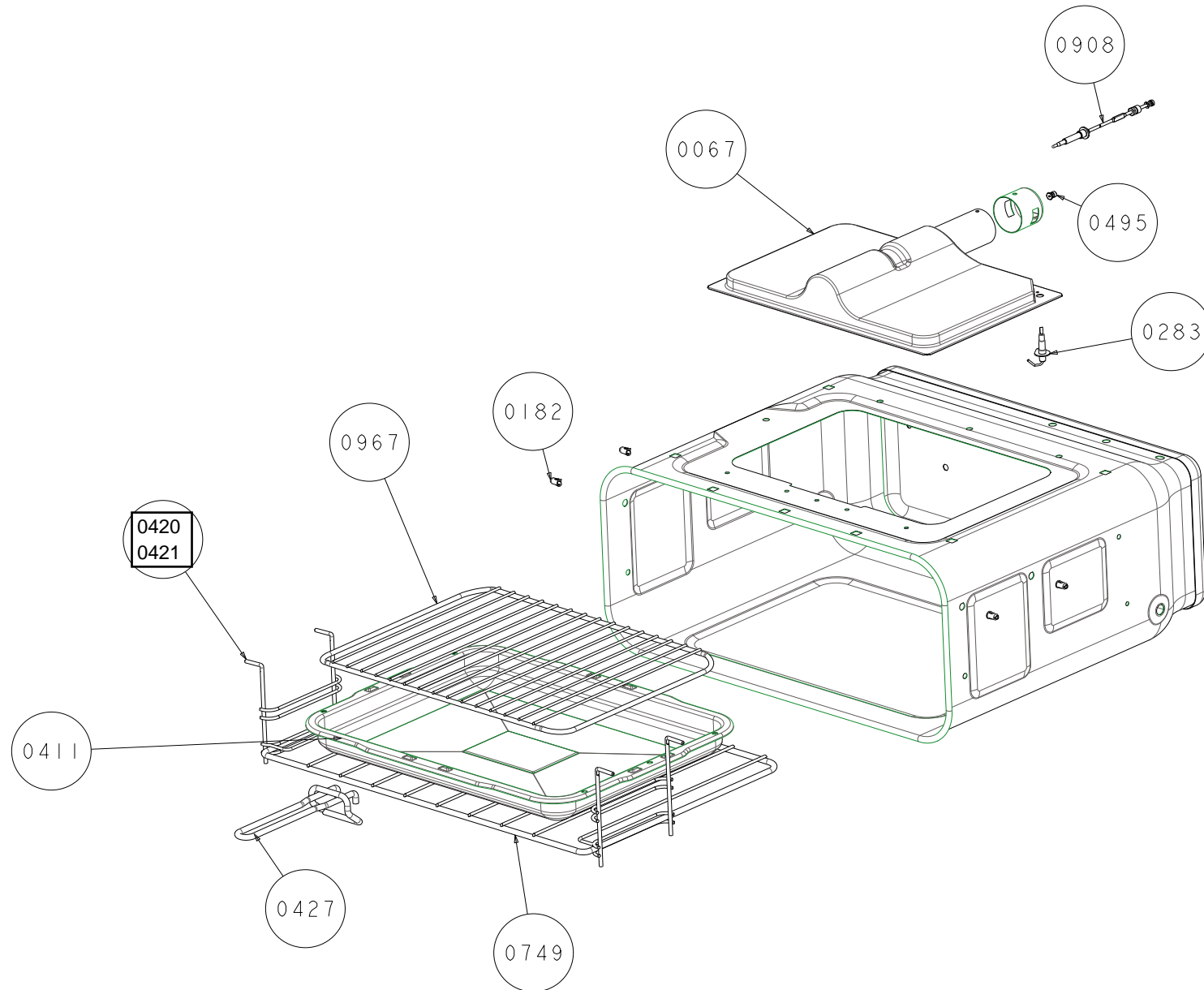


Key	Product	Product Description	TCO	Replace	Date	Qty
0889	082964505	TAP aux 0.32 bp lh set 52-54A				1
0907	082938701	Thermocouple 500mm long				2
0907	082938700	Thermocouple 300mm long				2
NR	073104802	FACIA MECH fs 60 ang g mm				1
0637	083040000	PIPE stat to m/ov burner				1
0637	083011000	PIPE stat to m/ov burner fs600				1
0916	082876800	TIMER m/minder green display				1
NR	073104001	MAIN DOOR MECH fs 60				1
0147	082533800	CATCH roller (nylon)				1
0392	083001000	Glass inner fs 60 main				1
0458	082979700	HINGE bottom door				1
0459	082979701	HINGE top door				1
0738	080180734	SCREW m4x12 tt pcsk ch blk				4
0823	082494402	STRIKER door (silver)				1
NR	073104202	TOP DOOR MECH fs tc				1
0455	082905900	HINGE drop down door (Zan)				2
0738	080180734	SCREW m4x12 tt pcsk ch blk				2
0835	082963200	Counter support				2
NR	073104409	FURNITURE MAIN 60 stop				1
0420	082917304	GUIDE shelf large lh 1978				1
0421	082917305	GUIDE shelf large rh 1979				1
0749	082917403	SHELF main oven 452 wide 1970				2
NR	073104607	FURNITURE TOP 60 stop				1
0411	602517700	GRILLPAN std mot				1
0420	082917300	GUIDE shelf small lh 1974				1
0421	082917301	GUIDE shelf small rh 1975				1
0427	082283705	HANDLE grill pan 1041				1
0749	082917403	SHELF main oven 452 wide 1970				1
0967	082518800	WIRE TRIVET grill pan 1130				1
NR	073107500	SIDE PANELS blk				1
NR	073105501	MAIN DOOR AES fs 60 be Sta				1
0057	083006000	BRACKET door handle				2
0247	013009702	DOOR assy 60 main be sta				1
0303	082557900	END CAP LH door ext Blk				1
0304	082557901	END CAP RH door ext Blk				1
0428	562989812	HANDLE door be 60 sta				1
NR	073106016	TOP DOOR AES fs 60 be tc sta				1
0057	083006000	BRACKET door handle				2
0256	013009605	DOOR assy 60 grill be sta				1
0303	082557900	END CAP LH door ext Blk				1
0304	082557901	END CAP RH door ext Blk				1
0428	702989812	HANDLE door be 60 sta				1
NR	073105006	HOB AES 60 g wire blk				1
0090	082957800	BURNERCAP aux (serie3)blk gls				1
0091	082957801	BURNERCAP semi (serie3)blk gls				2
0092	082957802	BURNERCAP rapid(serie3)blk gls				1
0111	056900900	BUTTON hotplate Blk				4
0472	602895007	HOTPLATE 60 gas fsd lid be blk				1
0614	082249902	PANSUPPORT enamelled				2
NR	073106632	FACIA AES fs be 60g tc blk				1
0032	082566102	BEZEL switch nic				2
0113	082588500	BUTTON timer				3
0114	081811301	BUTTON switch				2
0299	083003102	ENDCAP facia lh matt black				1
0299	083003103	ENDCAP facia rh matt black				1
0322	013009517	FACIA assy be 60 fsg au blk				1
0525	083000900	KNOB cont bi-gas fs-gasBlk/Chr				6
0810	083005100	STEM timer button				3
0878	081811101	SWITCH ignition E2009				1
0879	081811100	SWITCH light E1036				1
NR	073107047	WIRING fs 60g tc clock au				1
0477	083111700	GENERATOR ignition				1
NR	073107681	LABELS be 60tc au				1
0424	082748600	HANDBOOK be FSG au				1
0684	563063900	PLATE appliance fixing blk				1
NR	073109600	PACKAGING fs 60				1

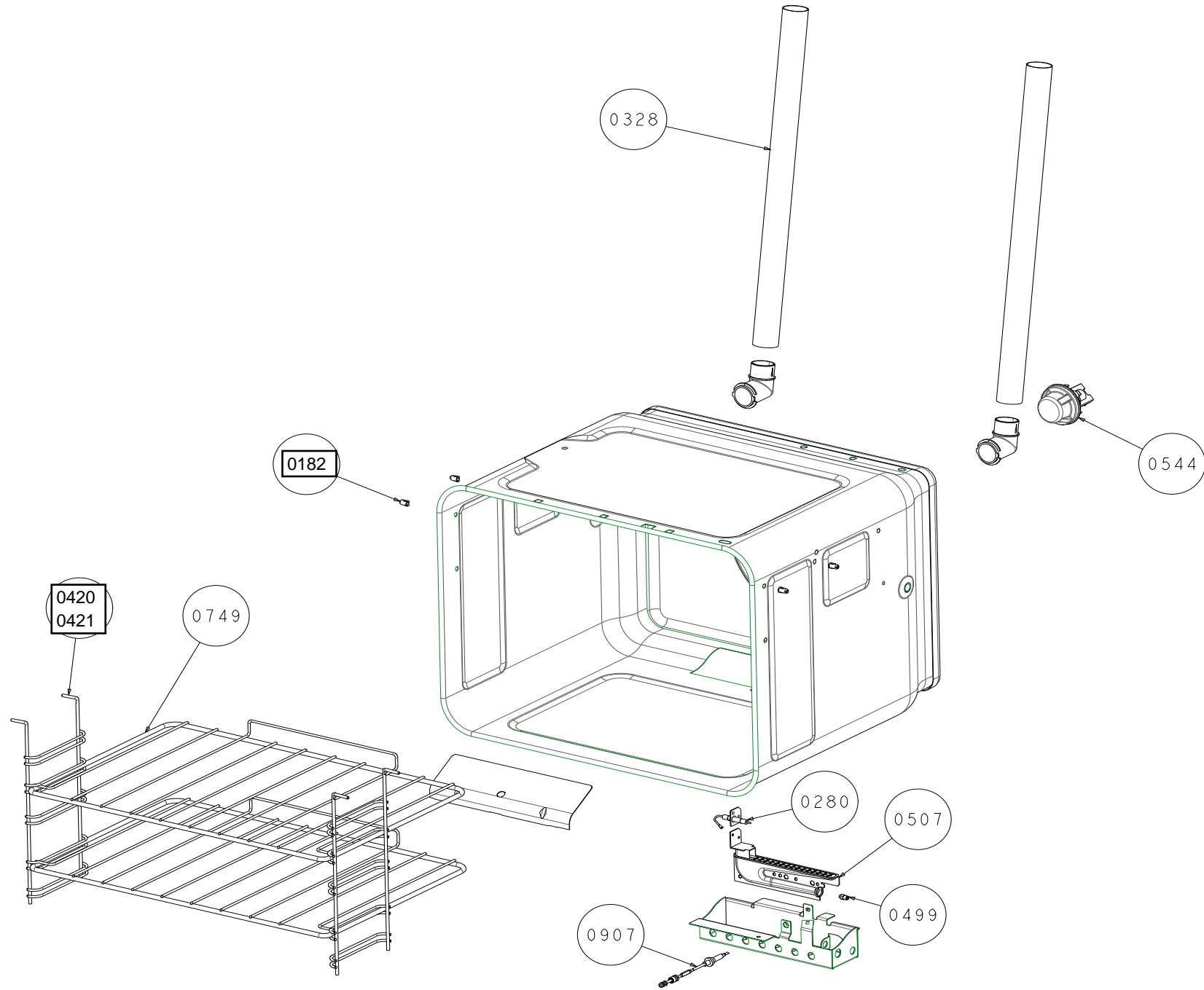
FREESTANDING HOTPLATE ASSEMBLY



FREESTANDING GRILL CAVITY



FREESTANDING GAS MAIN OVEN



FREESTANDING DOORS, FASCIA AND FRONT FRAME ASSEMBLY

